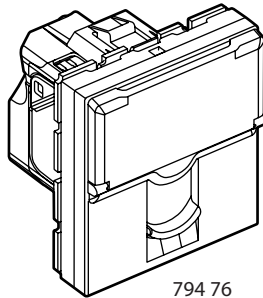
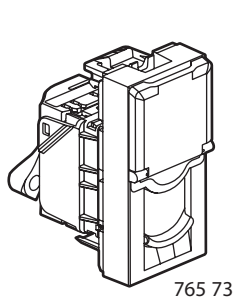


**Mosaic™**  
**LCS2 Cat. 6A STP RJ 45 socket**

**Cat. No(s): 765 08/24/25/73/76/84/99**  
**794 73/76**



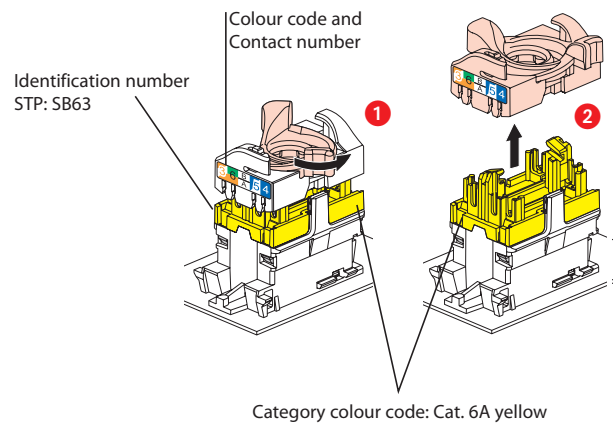
CONTENTS	Page
1. General characteristics .....	1
2. Presentation .....	1
3. Installation .....	1
4. Technical characteristics.....	2
5. Connection .....	2
6. Overall dimensions.....	2
7. Usual connection of RJ 45 sockets .....	2
8. Standards and approvals .....	3
9. Performance .....	3-6

**1. GENERAL CHARACTERISTICS**

Cat. 6A RJ 45 terminal socket for high speed connection to a network.  
Enables data transmission at 10 Gbit/s.  
Socket is used with F/UTP, S/FTP and F/FTP cables.

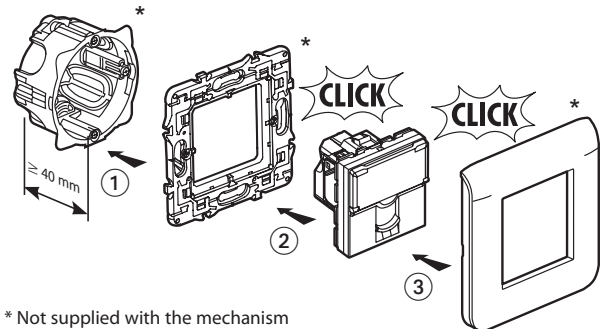
**2. PRESENTATION**

	Designation	Nbr. of modules	STP	Weight (g)
	Cat. 6A STP RJ 45 socket	1	765 73	29
	Cat. 6A STP RJ 45 socket - aluminium	1	794 73	29
	Cat. 6A STP RJ 45 antimicrobial socket	1	765 84	29
	Cat. 6A STP RJ 45 socket	2	765 76	34
	Cat. 6A STP RJ 45 socket - aluminium	2	794 76	34
	Cat. 6A STP RJ 45 socket - green cover	2	765 24	34
	Cat. 6A STP RJ 45 socket - orange cover	2	765 25	34
	Cat. 6A STP RJ 45 safety socket	2	765 99	42
	Cat. 6A STP RJ 45 45° socket	2	765 08	34



**3. INSTALLATION**

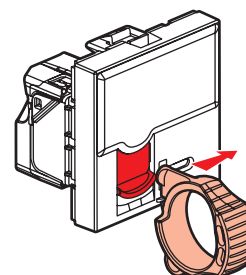
The mechanisms can be surface mounted or flush mounted.  
They can also be mounted in Mosaic Programme trunkings, columns, floor boxes and office modules (min. depth 40 mm).  
Rail mounting is possible using adaptor Cat. No. 802 99 (2 modules).



mechanisms can be mounted on thin panels with adaptors:  
Cat. No. 802 90 (1 module), Cat. No. 802 91 (2 modules),  
Cat. No. 802 92 (2 x 1 vertical module).

**Cat. No. 765 99**

Unlocking



334 80

**Mosaic™**  
**LCS2 Cat. 6A STP RJ 45 socket**

Cat. No(s): 765 08/24/25/73/76/84/99  
 794 73/76

**4. TECHNICAL CHARACTERISTICS**

**4.1 Material characteristics**

Contacts: gold/nickel, minimum thickness of gold > 0.8 µm  
 Metal parts: bronze, nickel, platinum, gold  
 PBT polycarbonate  
 For STP products the body and the spreader are made of metal alloy with a copper-nickel coating.

**4.2 Electrical characteristics**

Breakdown voltage ≥ 1000 V  
 Contact resistance ≤ 20 mΩ  
 Insulation resistance ≥ 500 MΩ at 100 V DC  
 Connector tested and guaranteed under PoE restrictions, IEEE 802.3af standard and PoE+, draft standard 802.3at, up to 2500 on-load connections / disconnections.

Tests are carried out with 2 simultaneous PoE+ circuits for a minimum total power of 50 W.

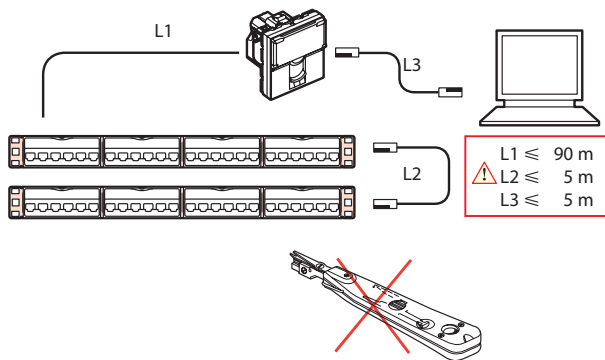
**4.3 Mechanical characteristics**

Max. number of connections and disconnections: 5 without refreshing the wiring.  
 Endurance: 2500 movements (plug insertion/withdrawal)  
 IK03

**4.4 Climatic characteristics**

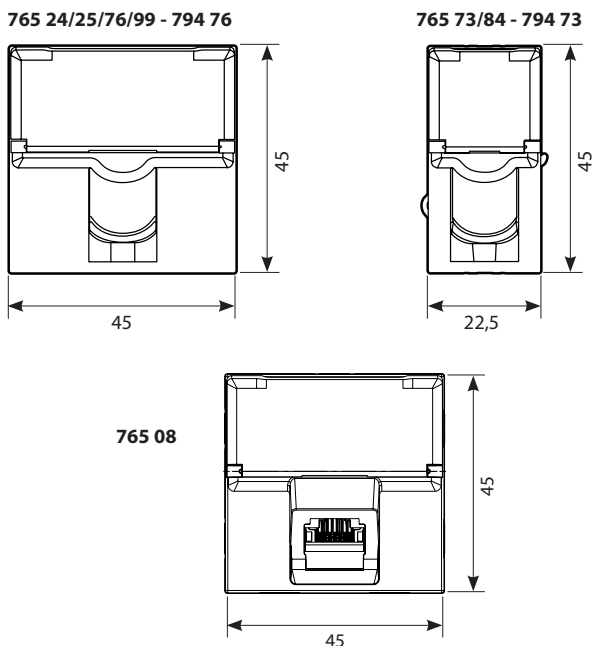
Operating temperature: - 40° C to + 70° C  
 Humid heat cycle 21 days

**5. CONNECTION**



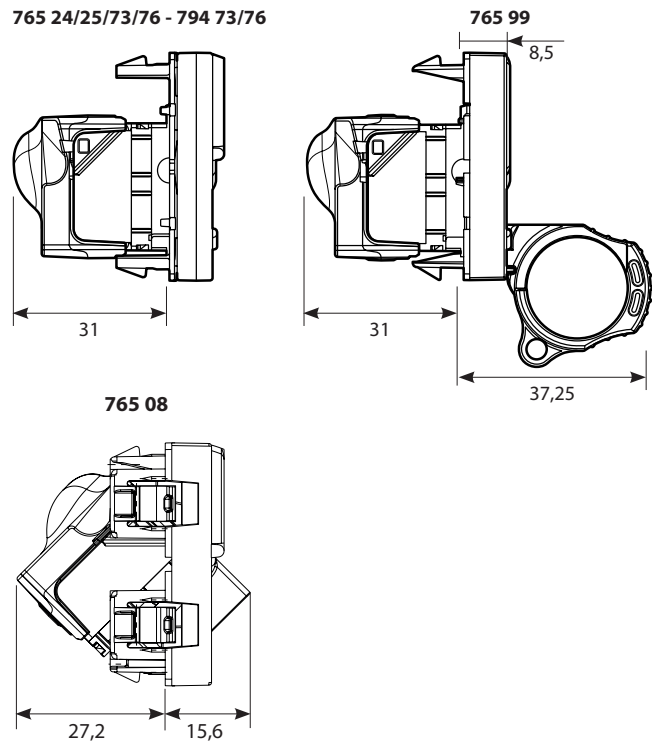
**6. OVERALL DIMENSIONS**

Front view:



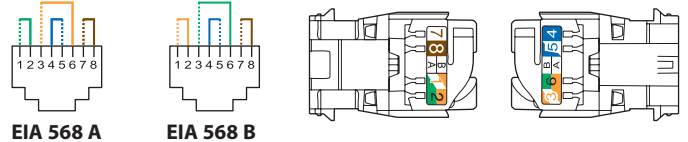
**6. OVERALL DIMENSIONS (cont.)**

Side view:



**7. USUAL CONNECTION OF RJ 45S**

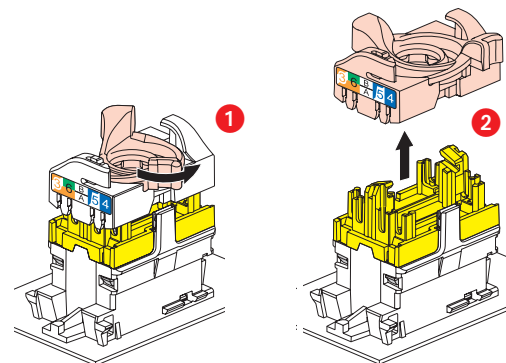
Accepts the following cable connectors:  
 RJ11 (4 contacts), RJ12 (6 contacts), RJ45 (9 contacts).  
 Double colour code EIA – TIA 568 A and B on terminals:  
 - STP 9 contacts 360° screen



Conductors supported:

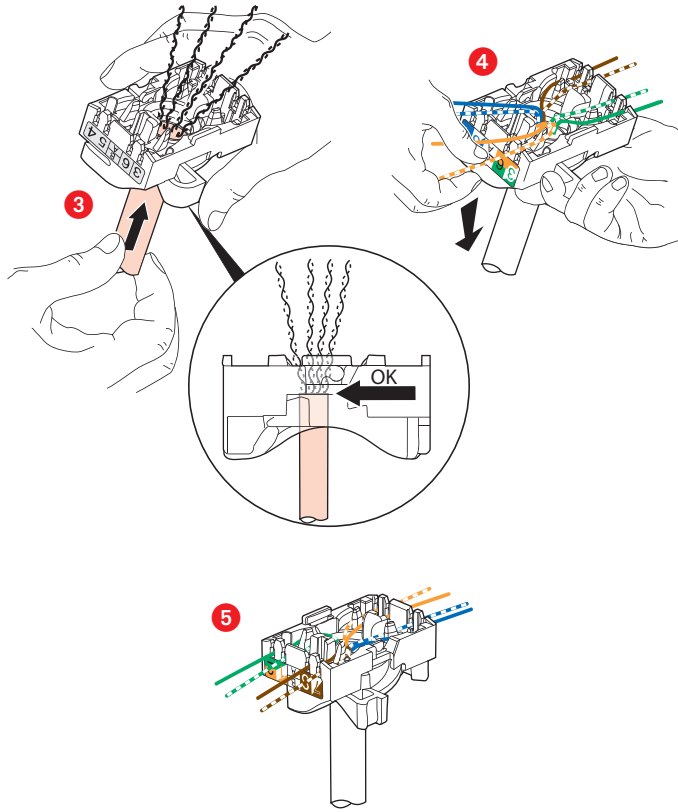
- Single-wire: 0.5 to 0.65 mm, AWG 22 to 25
- Multiple-wire: AWG 26
- Polyethylene conductor insulation: max Ø with insulation 1.58 mm.

RJ 45 connectors are equipped with a locking nut that does not require the use of a specific tool and which enables re-cabling in the event of error.



**7. USUAL CONNECTION OF RJ 45S (cont.)**

This system allows the wire pairs to be spread easily before mounting them on the connector.



Spreading cables ensures that each pair is separated by the specified 13 mm. Spreading pairs by 90° in relation to the cable ensures optimum performance.

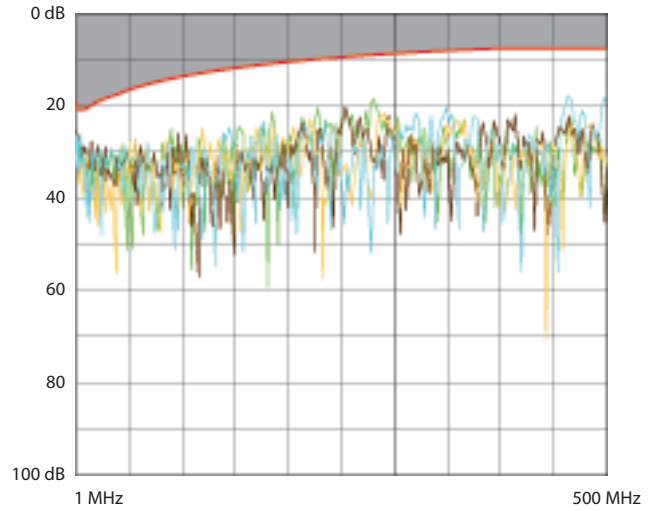
**8. STANDARDS AND APPROVALS**

- Compliant with standards: ISO 11801 Second edition
- EN 50173 Second edition
- EIA/TIA-568-B.2
- NF C 20730
- Standard 8877 - 603.7

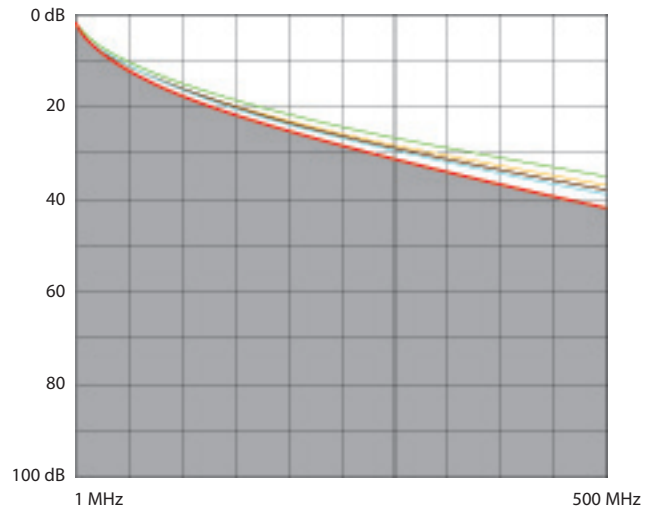
**9. PERFORMANCE**

**9.1 Performance of permanent link with F/UTP cable**

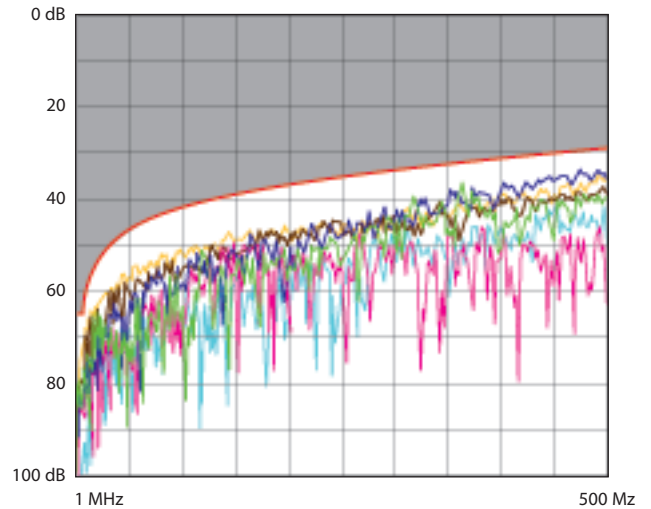
Return loss



Attenuation

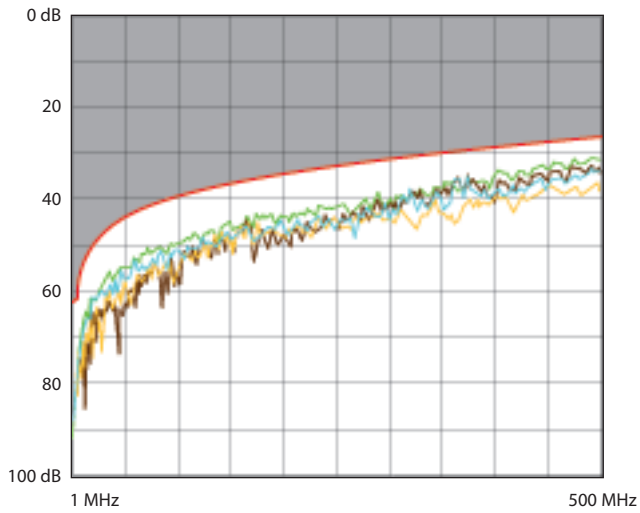


NEXT (Near end Crosstalk Attenuation)

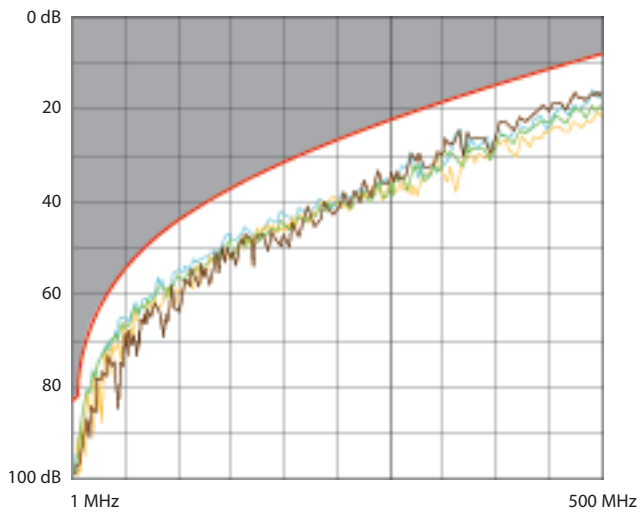


**9. PERFORMANCE (cont.)**

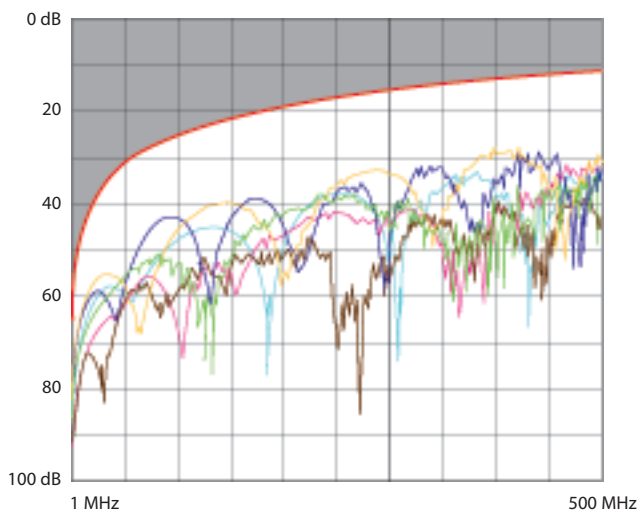
**9.1 Performance of permanent link with F/UTP cable (cont.)**  
 PS NEXT (Power Sum NEXT)



**ACR (Attenuation to Crosstalk Ratio)**

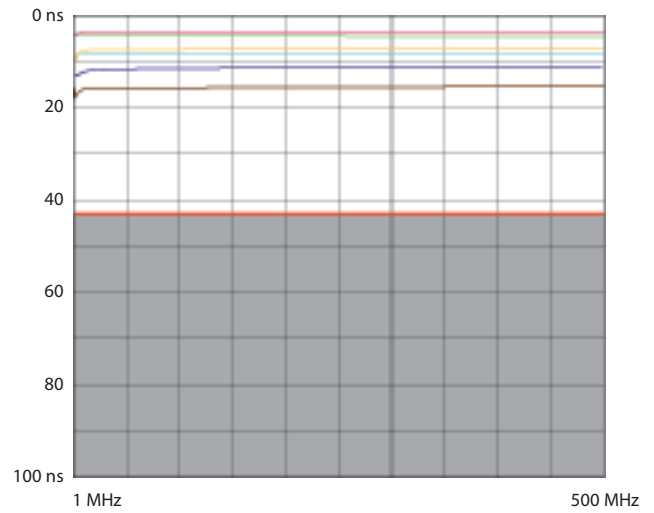


**ELFEXT (Equal Level End Crosstalk Attenuation)**



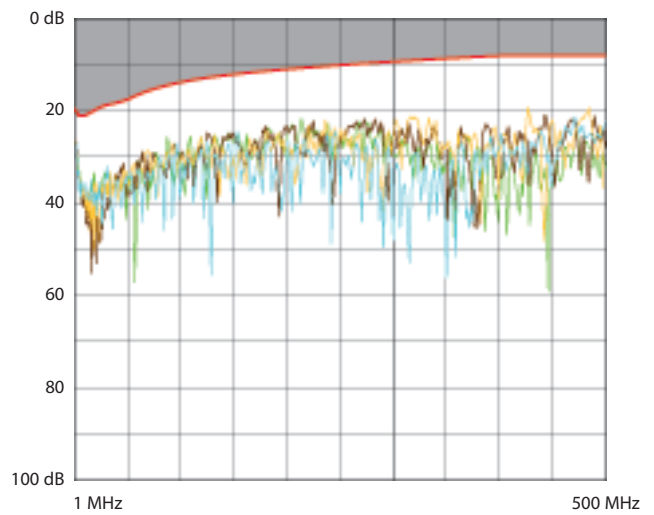
**9. PERFORMANCE (cont.)**

**9.1 Performance of permanent link with F/UTP cable (cont.)**  
 Delay skew

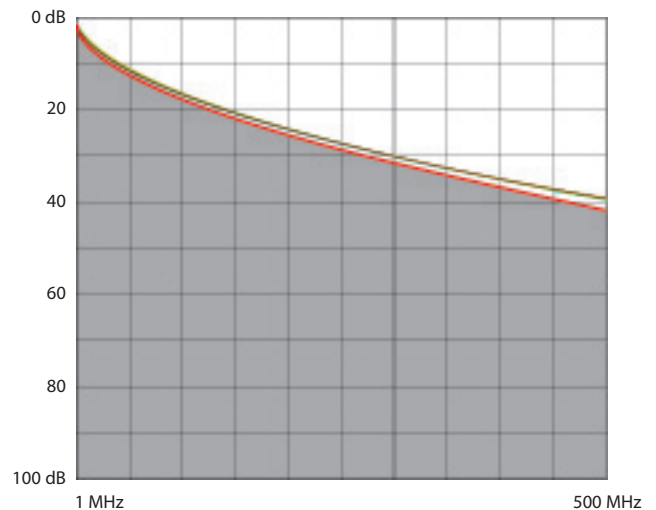


**9.2 Performance of permanent link with S/FTP cable**

Return loss

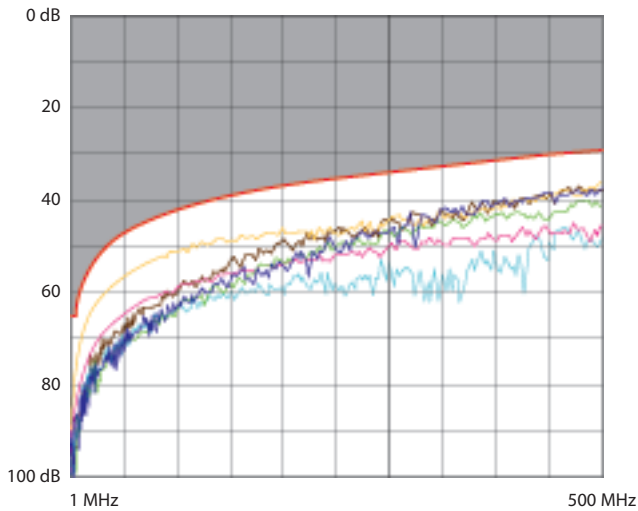


Attenuation

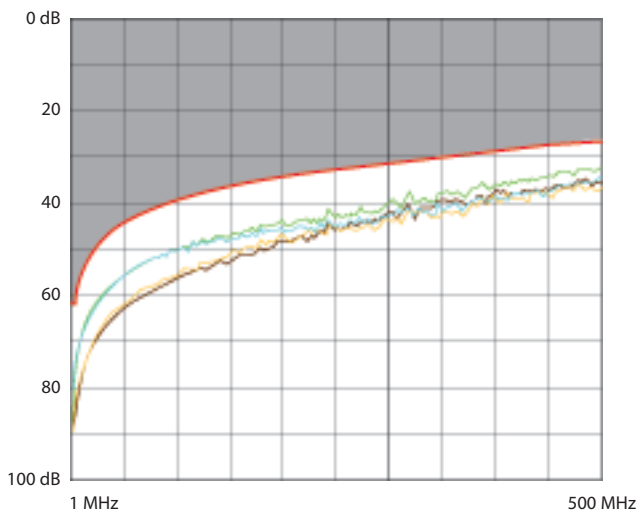


**9. PERFORMANCE (cont.)**

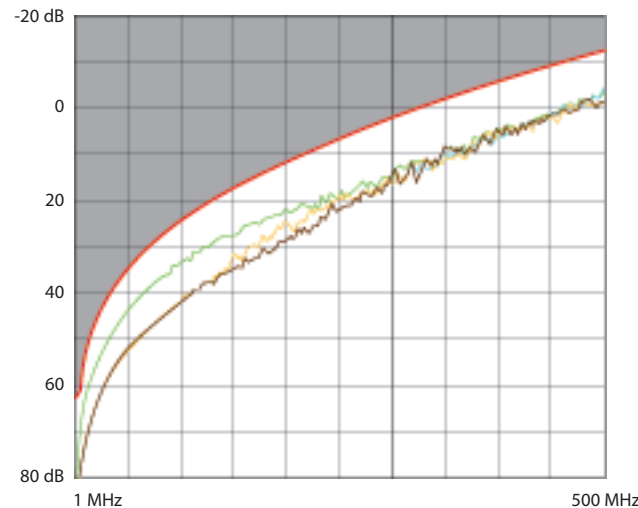
**9.2 Performance of permanent link with S/FTP cable (cont.)**  
 NEXT (Near end Crosstalk Attenuation)



**PS NEXT (Power Sum NEXT)**

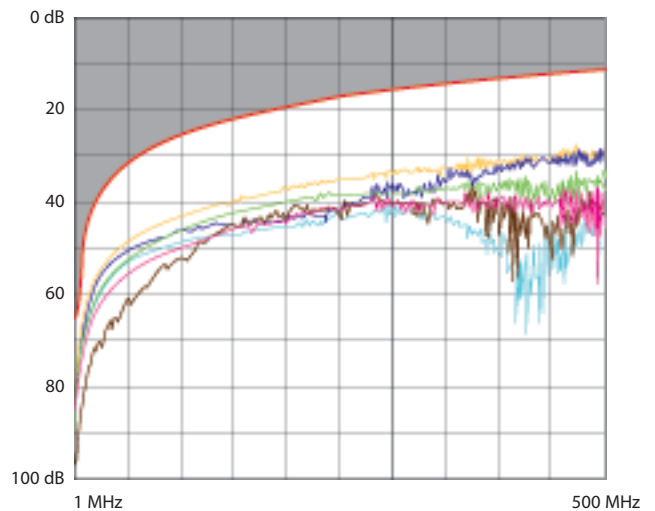


**ACR (Attenuation to Crosstalk Ratio)**

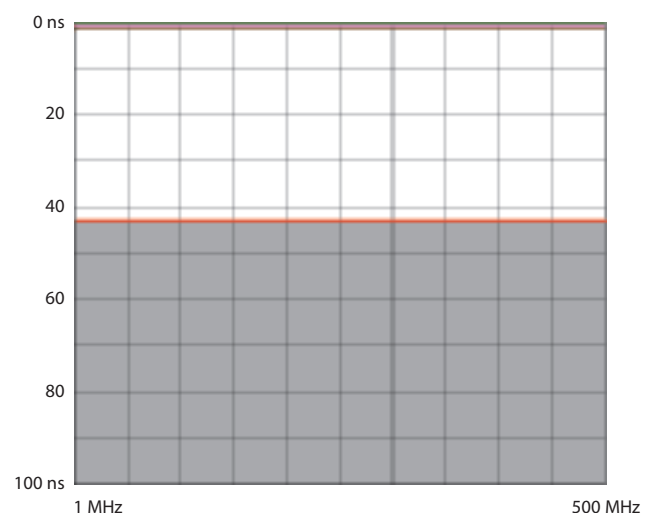


**9. PERFORMANCE (cont.)**

**9.2 Performance of permanent link with S/FTP cable (cont.)**  
 ELFEXT (Equal Level End Crosstalk Attenuation)

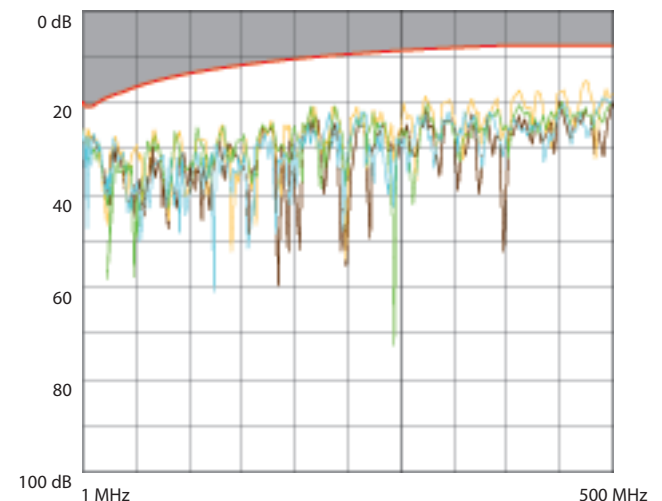


**Delay skew**



**9.3 Performances canal (Channel)**

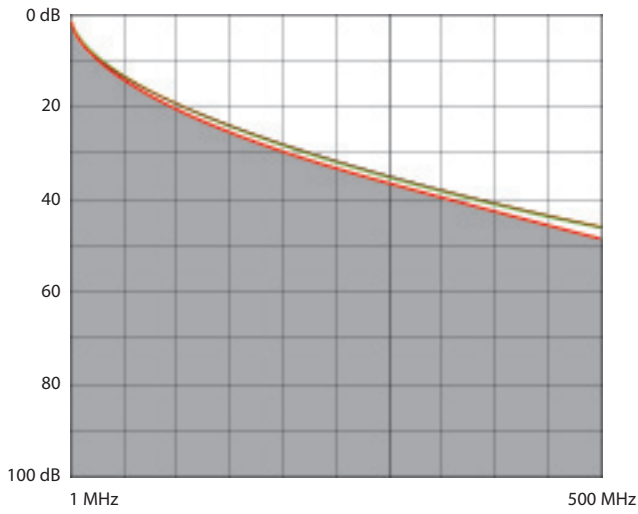
**Return loss**



**9. PERFORMANCE (cont.)**

**9.3 Channel performance (cont.)**

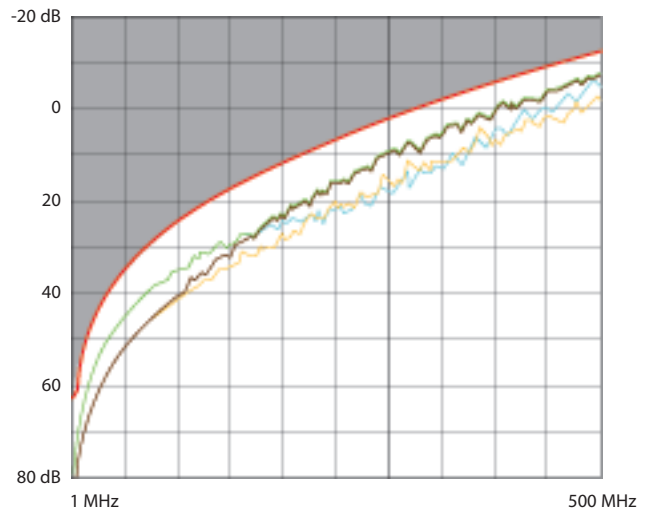
Attenuation



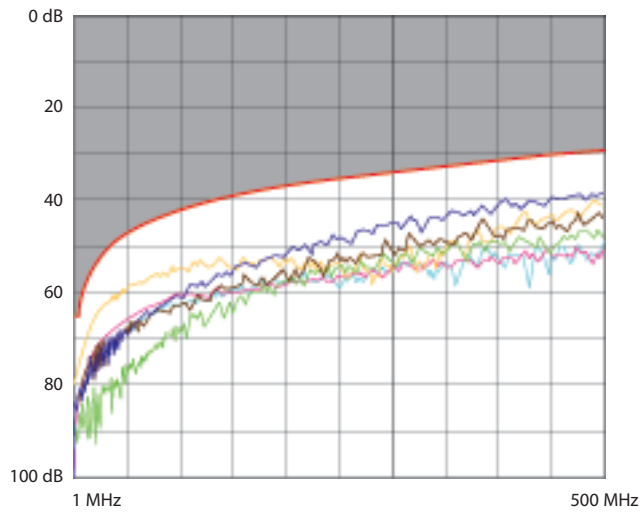
**9. PERFORMANCE (cont.)**

**9.3 Performances canal (Channel) (cont.)**

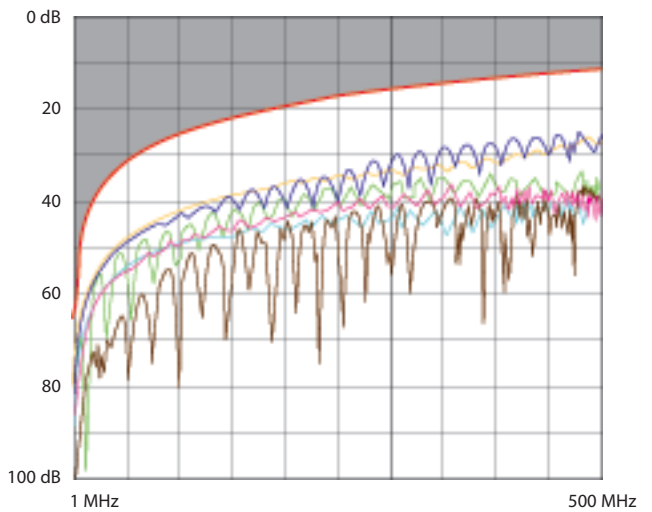
ACR (Attenuation to Crosstalk Ratio)



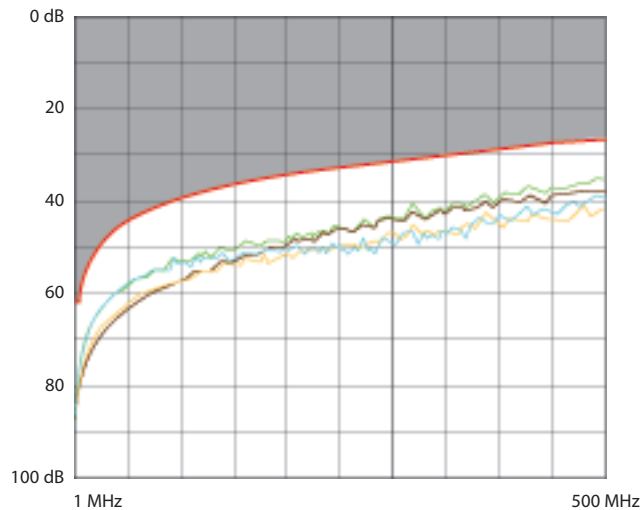
NEXT (Near end Crosstalk Attenuation)



ELFEXT (Equal Level End Crosstalk Attenuation)



PS NEXT (Power Sum NEXT)



Delay skew

